

PROJECTOR LIFT SI-H 300 / SI-H 500



PROJECTOR LIFT COMPLETELY CLOSED

The heavy projector lift series SI-H is a very strong and reliable brand new range of lifts specifically developed for large venue applications where large projectors need to be moved.

These lifts are equipped with heavy-duty but silent motor which assures a fast and stable up-down movement of the projector. Also a **SAFETY DEVICE** is built-in in order to offer maximum security in case of any failure of the mechanism.

The projector anchoring frame movement is controlled by two strong steel cables that are certified for a maximum load of 350 kg. each.



PROJECTOR LIFT COMPLETELY OPENED

This projector lift series are developed in order to support projectors up to 70 kg.

The maximum outside dimension of the projector that can be fixed under the lift has to be less than the size of the upper frame of the lift (see maximum frame sizes indicated in the upper view drawing).

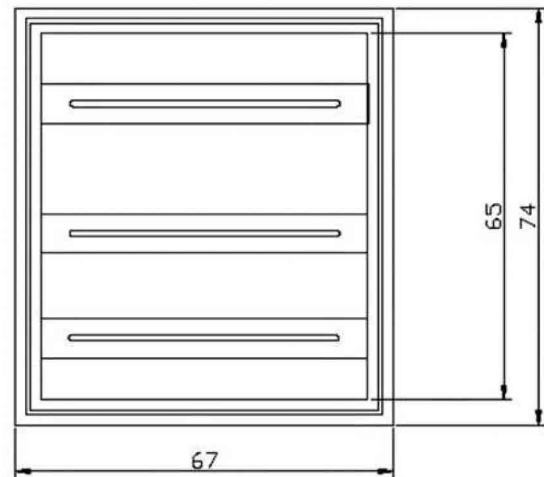
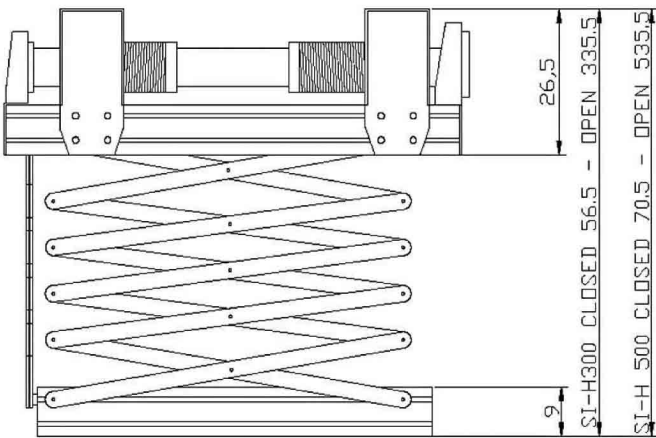
Furthermore, the anchoring points of the projector have to be within a maximum width of 54 cm. and a maximum depth of 58 cm. (see drawing of the projector anchoring system).

TECHNICAL DATAS

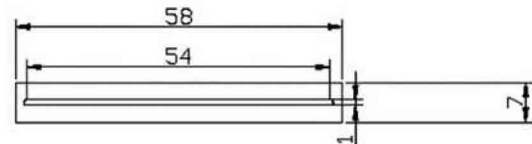
POWER SUPPLY	220-230 V - 50 HZ
MAXIMUM CONSUMPTION	420 W
TORQUE	60 Nm
MOTOR SPEED	12 Rpm
ROLL UP/DOWN SPEED	12 sec. per meter
DIMENSIONS SI-H 300/SI-H 500 CLOSED	79,8x56,5x87,3 / 79,8x70,5x87,3 (WxHxD in cm.)
DIMENSIONS SI-H 300/SI-H 500 OPENED	79,8x335,5x87,3 / 79,8x535,5x87,3 (WxHxD in cm.)
MAXIMUM LOAD OF THE PROJECTOR	KG. 70
NET WEIGHT OF SI-H 300	KG. 68
NET WEIGHT OF SI-H 500	KG. 75



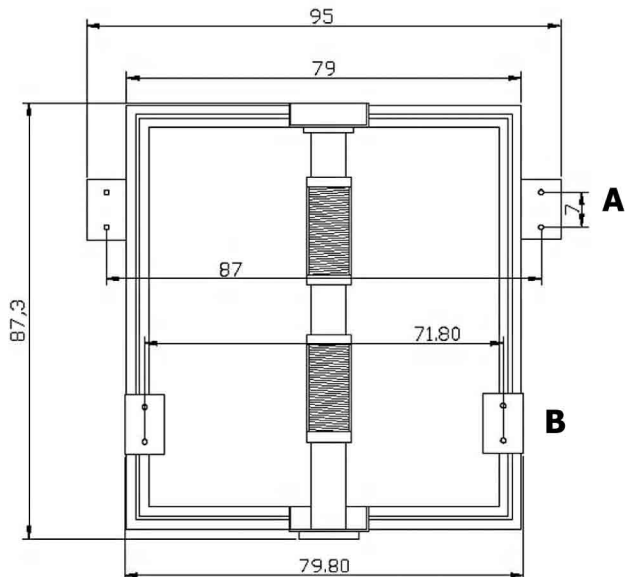
SIDE VIEW



DRAWING OF THE PROJECTOR ANCHORING SYSTEM



UPPER VIEW



In the upper view drawing we show two different ways to install the ceiling mounting brackets.

At point "A" you can see the brackets mounted turned outside.

At point "B" you can see the brackets mounted turned inside. All four brackets can be mounted towards inside or towards outside.

The measures of the drawings are expressed in centimeters.

