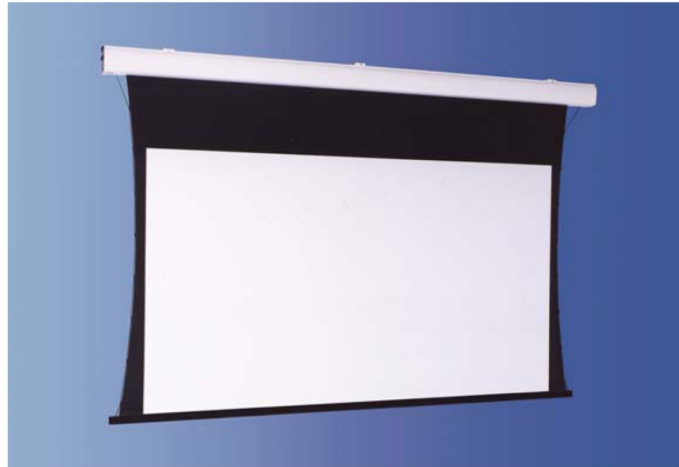


# GP Screen

## COMPACT TENSIONED

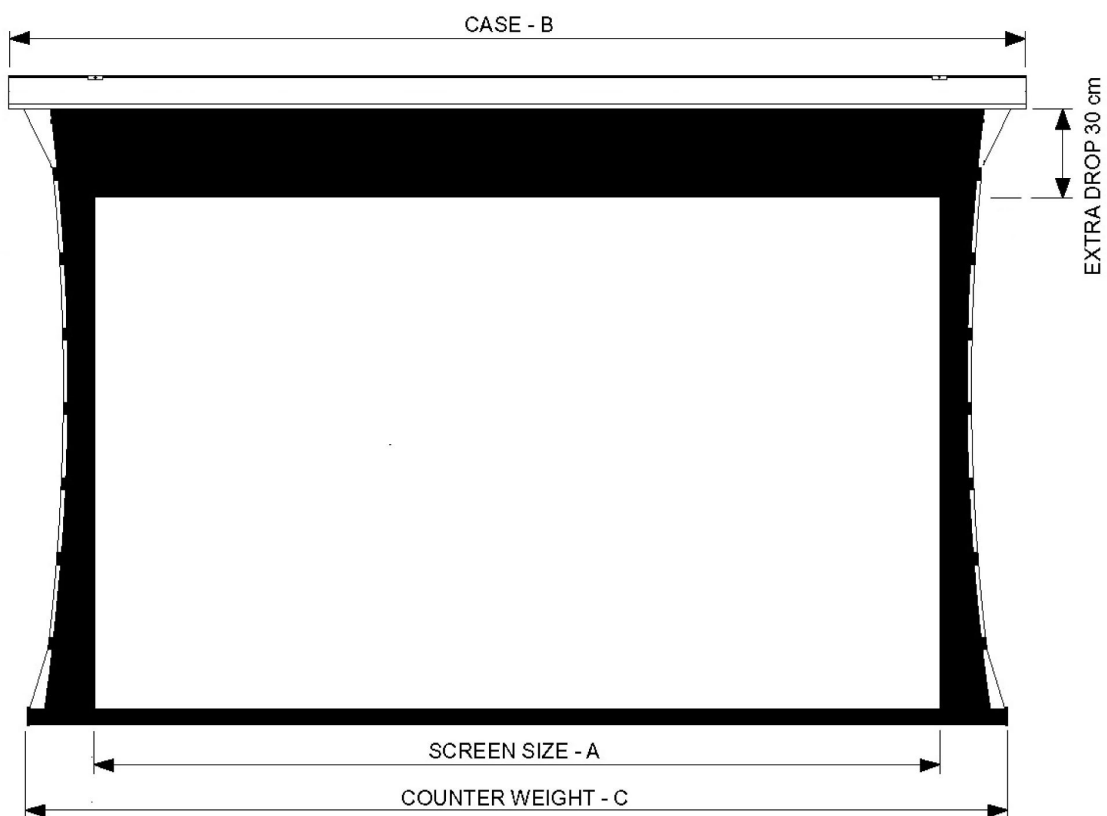


- Silent motor system provides a smooth and quiet operation
- Totally manufactured in aluminium
- Smart design and easy to install
- Housing dimensions: 94x112 mm.
- Painting treatment with white epoxy powders (RAL 9010)
- Universal mounting brackets either for ceiling or for wall
- Switcher on/off included
- Projection fabrics are flame-retardant, classification M1 7201-96
- Side black borders of 5 cm. (in the narrowest point), black drop of 30 cm. on the top and black counterweight (35 mm. high)
- Tensioning system on both sides
- Two mounting brackets included

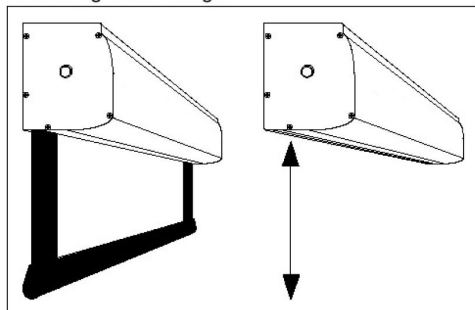
Warranty: - 5 years on the motor  
 - 24 months on the other components

## TECHNICAL DETAILS

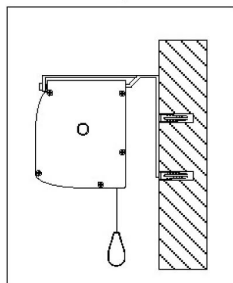
<b>Format 4:3</b> Viewing area (wxh) (A)	<b>Format 16:9</b> Viewing area (wxh) (A)	Overall dimensions	Front projection cloths	Net weight approx.
cm. 160x120 cm. 180x135 cm. 200x150 cm. 250x190	cm. 160x 90 cm. 180x101 cm. 200x112 cm. 250x140	B cm. 198 C cm. 192 B cm. 218 C cm. 212 B cm. 238 C cm. 232 B cm. 288 C cm. 282	Matte White gain 1.2 Microperforated gain 1.1 Lumi-Grey gain 0.8	Kg. 17 Kg. 18 Kg. 19 Kg. 20



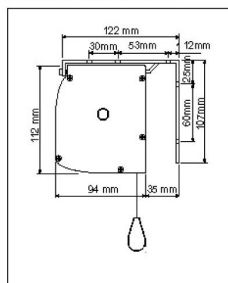
Concealing counterweight



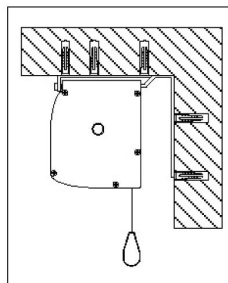
Wall Mounting



Cabinet dimensions



Ceiling Mounting



**Motor characteristics**

Power: 6 Nm  
 Speed: 17 rpm  
 Power supply: 230V / 50 Hz  
 Consumption: 90 W  
 Certification: IMQ